



**New Discovery!** Be your own boss! Start your own business!



**Home Owners,** No need to replace that old roof on your home unless it's leaking. We have discovered by using Pure Bleach, sprayed on an infected roof, and then washed away using water, you can make your roof look like new in just one day!

It's safe to use and will last up to 10 years. For an average size home it takes about 10 gallons. Simply spray on your entire roof and spray off using a water hose. your roof will look like new again and you won't need to pay a roofer \$2,500 to replace your roof. Do it yourself for less than \$10.00

Example



Side cleaned with Clorox Bleach

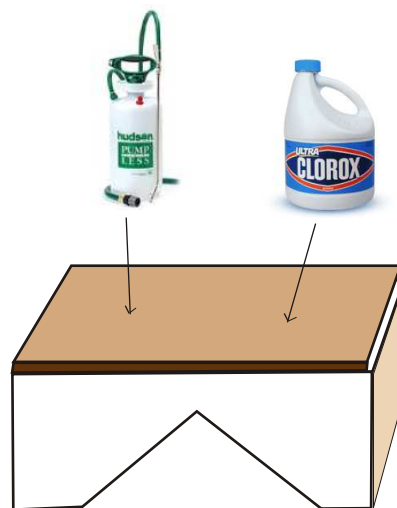
Side Not cleaned, Infected with Mold



## WARNINGS

Please read before trying to clean a roof or start your own business! We are not responsible for anything in these plans or instructions. You research and clean your roof or anyone else's roof at your own risk. Always wear protective gear such as a Respiratory mask and goggles to protect your eyes. Also it is a good idea to wear rubber gloves. Do not get Bleach in your eyes or on your hands or clothes. Read all Warnings on the label of the bleach container. We recommend using laundry liquid bleach not industrial bleach, we have not researched industrial bleach which is far more powerful than store bought bleach. Be careful when climbing a ladder. Keep away from power lines. Do not spray power lines as well as phone lines. Use shoes that will grip well when walking on a roof. Keep all bleach and watered down bleach away from children and animals as well as adults. We advise that you get a business license as well as Insurance to cover yourself. We are not recommending it, but we have heard of thousands of business that do not have a business license as well Business Insurance and they have done well for years, but again we can not recommend you do this. Always put your safety first as well as any other living thing such as plants, animals and humans. When bleach is watered down in last stage it is less harmful but should be watched, bleach will go down gutters and into the yard. When done or during spray all plants and shrubs around house as well as down spout areas with plenty of water. Some discoloring of grass may occur at down spout area but will later go away. Again we are not responsible for anything in these plans, you research at your own risk. Avoid continuous breathing of bleach vapor and spray mist. Avoid spraying bleach on a windy day, spray can come back on you or other living things.

**If you wish to start your own business please contact us by E-mail and we will send you a Business agreement. All we ask is 5% of your weekly profit which can be sent weekly or**



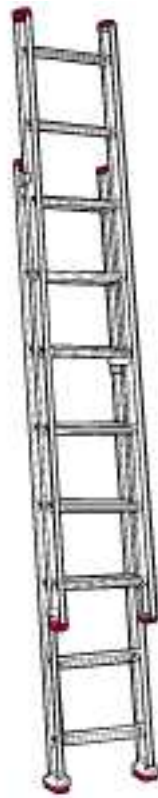
It maybe a good idea to build a Plywood Roof stand, Safer?



## Supplies Needed



Bleach, any brand?



A strong ladder



Bug Sprayer



Respiratory Mask



A Pick up truck or Van



Water Hose



So what is this stuff? *Answer: It is Black Fungus!*



Roof cleaned with Bleach then washed with water after 15 to 20 minutes

Spray bottom with pure bleach and let stand for 15 to 20 minutes, start with bottom first until you spray one half of roof all the way up to top.

The idea is to avoid stepping into the pure bleach you just sprayed onto the infected roof! again, start at gutter area and work your way up to top. Let bleach stand and do it's job then using a water hose spray off the bleach, you may not notice much of a difference until roof dries if the roof does not have that much black fungus on it. If it's coated with fungus you will see a big difference quickly! If the first spray coat did not get it all then allow roof to dry somewhat and then respray again. While you are waiting for the water on that side of the roof to dry, go to the other side of the roof (left side) and begin applying your bleach the same way you did before. Repeat these steps until roof is clean. 2 Coates is usually all you need to apply unless roof is really bad.



Make sure you rinse roof very well before quitting the job as to get as much bleach off of the roof as you can. Clean all plants and shrubs which the bleach may have gotten on.



Remove lid from bug sprayer, bug sprayers can be purchased at any hardware store, buy a good one. Now carefully pour pure bleach into the bug sprayer, ( It is not recommended that you add water! ) Replace the lid and pump the handle of the sprayer which will pump air into the sprayer container, be careful not to over pump it.

Replace lid(s) to any empty bleach containers and throw away, keep out of the reach of children and animals. You can fill your sprayer up on the ground or on the roof if you make a plywood roof shelf. It is easier to do your filling on the roof.

Again: Start with the right side of your roof and start spraying from the bottom up, from the gutters to the top of your roof in a straight left to right hand motion, apply bleach thickly on entire surface, do not miss any spots. Once right side of roof is done let bleach stand for 15 to 20 minutes or more and then rinse off with water using a water hose.

Do not apply bleach to a wet water surface, it will not clean when diluted with water. Now go to the left side of roof and repeat the whole process over again, applying the same to the back of the roof. After roof is dry or almost dry apply 2nd if needed. Some roofs may take up to 3 to 4 coats if highly infected with Fungus. This is a trade secret so keep it to yourself.



So you have done your roof and it looks like brand new! You have just saved yourself big bucks by letting a roofing company replace your roof. I am sure roofing companies know what this stuff is that corrupts most American roof tops, but they will not tell you because they want to replace your roof for big bucks!

Always closely inspect a roof for leaks. Ask the customers if roof has ever leaked before and did they get a roof inspector to look at it. Sometimes roofers will lie to a customer telling them there roof will leak when the roof is good for another 5 years. Check for cracks and holes, if you find some, they can be repaired by applying a black or colored roof calking. You can do it for the customer or give the customer the option of doing it there self or hiring a roofing company after you have cleaned it. Always be nice to your customers and be honest, If we find you are not honest we will shut you down!

Once you are done your customer will love it, you made money and your customer saved thousands of dollars.

Please do not show customers what you are using, it is a trade secret, Rip the labels off of the bleach bottles you are using and replace with your own laser printed labels, Heading should read "**Roof Cleaner**" and you will also need to have hazard warnings on the labels as well, it is the law. Simply copy it from the bleach label place in small letters and say May contain bleach.

Please note we are not a franchise, you are simply paying us to use our New Discovery and Idea's, we also offer some support as well if needed.

If you have any questions please e-mail us.

### **Finding Customers:**

You will find that word of mouth will be your best source of customers. The Customers is always right. Be nice dress as nice as you can and clean up after yourself always when job is done. Another good way to advertise is flyers and post cards. The Yellow pages should be your last resort.

What to charge:

\$200 - \$1,000 your choice, use your own judgment, if to high you will not get any business. If to low you will be hurting yourself.



## FREE NEWS

### What Is Bleach?

*Clorox* liquid bleach is sodium hypochlorite in a water-based solution. Sodium hypochlorite is one of those rare products in which most of it comes from a single compound—in this case salt water—and then after use reverts back to that same compound ([see Bleach Cycle](#)). Sodium hypochlorite is manufactured by mixing chlorine with sodium hydroxide and water. Following testing to ensure proper strength and filtering to remove any impurities, the sodium hypochlorite bleach is bottled.

Except for quality control improvements, *Clorox* bleach remains unchanged since its introduction to American consumers in 1916.

### HOW BLEACH WORKS

The objective of washing clothes is to remove soil, stains, bacteria and odors from fabrics. When bleach comes into contact with large, chain-linked soil molecules, it breaks them down into smaller units. These units have a harder time sticking to clothes. The combination of bleach, detergent and the washing machine's mechanical action work together to remove soils.

In household cleaning, sodium hypochlorite bleach works the same way, as it kills mold and mildew, and removes stains from porcelain sinks, toilets, tubs and Formica without scratching surfaces.

### WHERE DOES BLEACH GO?

By reacting with stains and soils in the wash, bleach breaks down to become primarily salt water. Any remaining bleach goes down the drain into either the local sewer system or septic tank and reacts with wastewater components—dirt and other inorganic materials—and is completely deactivated before it's released into any waterway.

### DOES BLEACH CONTAIN CHLORINE?

Sodium hypochlorite bleach does not contain or generate chlorine gas when used by itself or when used as directed with other products. Formation of chlorine gas can occur only if sodium hypochlorite bleach is mixed with acids, such as acidic toilet bowl cleaners. A strong warning statement covering this type of misuse is clearly stated on *Clorox* bleach labels.





A good example of a cracked roof. This roof can be cleaned and repaired. Try and get a Roof caulk that is close to the same color as roof after cleaned. If not you will have to use black if customers does not mind.

90% of your jobs will not have any cracks.





## FUNGUS!

The black growth covering roofs is a fungus.



## FUNGUS! Growth

The black growth covering roofs is a fungus. This fungus, because it lacks chlorophyll, is unable to manufacture food from raw materials as other plants do. It must therefore obtain nutrition from some form of organic matter. When a fungus receives its nutrition from organic matter, it is called a saprophyte. This particular fungus also requires a warm environment to thrive.

Now that we know what this growth is and what it needs to survive, how does this happen on a roof? Saprophytic fungus, in this instance, normally begins its life cycle as airborne spores that settle on Asphalt/Shingle roofs. The spores that settle on the northern exposure roof typically stand a better chance of survival because it is normally the last part of the roof to dry after rain or morning dew. Once the sun heats the roof, the moisture trapped at the base of the ceramic granules begins evaporating. This raises the humidity on the roof, thus creating a perfect breeding environment.

The tar used in the manufacture of asphalt is fossilized, dead organic matter, the special food source needed to support saprophytic fungus. The fungus secretes enzymes into the asphalt on which it grows. The enzymes digest the material, which is then absorbed by the walls of the hyphae. Asphalt, at the ceramic granule base, is normally consumed. Once these granules dislodge, accelerated deterioration will occur. Ceramic granules represent the outer hard shell that protects against hail and other falling debris. Certain granules protect against damaging UV radiation and insulate the roof against extremes.



## Tile Roofing

Spanish tile roofing is both beautiful and durable, clay tiles are expensive, thus the majority of tile roofing is made from concrete. All masonry products contain calcium, which is a food source for biological growth in addition the tile surfaces are very porous, air born dirt and pine pollen land on the surface along with the airborne fungus spores and start proliferating. Cleaning the roof without further protection is only applying a Band-Aid on the problem, the porous surface now clean allows, the process starts over. It is suggested to clear coat the entire roof after cleaning with Dura-A-Shield [www.durashield.com](http://www.durashield.com) 1-800-280-1322. A Roofing company can do this for the customer or you can learn to do it and charge extra. \$\$\$

## PROBLEMS ASSOCIATED WITH ROOF FUNGUS

A long proven, scientific fact suggests a light, colored roof will absorb less heat, thus reducing utility bills and extending the life of asphalt shingles. A roof covered with fungus will absorb more heat due to the pigmentation. Convection stored in upper levels of the home is unable to dissipate heat due to the inner factors inherent with the fungus. These factors will result in higher utility bills. The presence of this fungus in such close proximity to a living environment can pose some health concerns for those with allergic problems. The possibility does exist for this fungus to invade the home through exposed areas and create other problems.

## COSMETIC CONSIDERATIONS

The roof area generally represents 40-50 of the total front elevation. If fungus is collecting in this much area, it will certainly create a major impact on the overall appearance of the roofs home. Fungus, covered roofs are unsightly and make homes look prematurely old. The fungus appearance can reduce property values, which should be a concern to anyone trying sell there home.

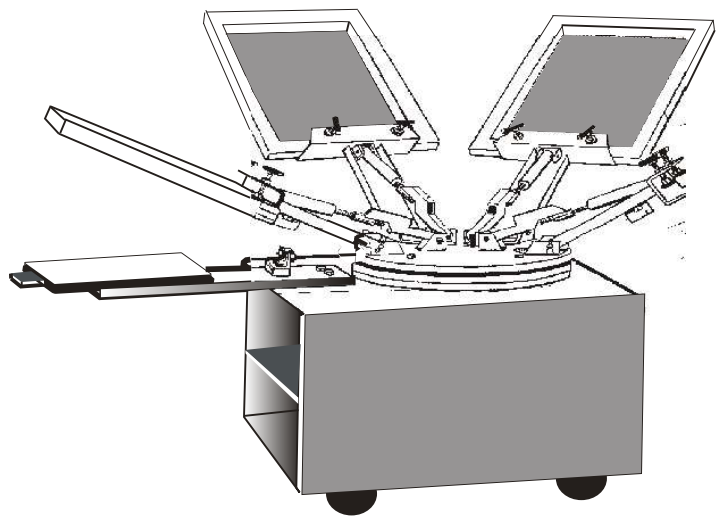


BE YOUR OWN BOSS!

Start your own Screen Printing Business

## Build a T-Shirt Printing Press

With these plans it is easy and it is fun! Anyone can build!



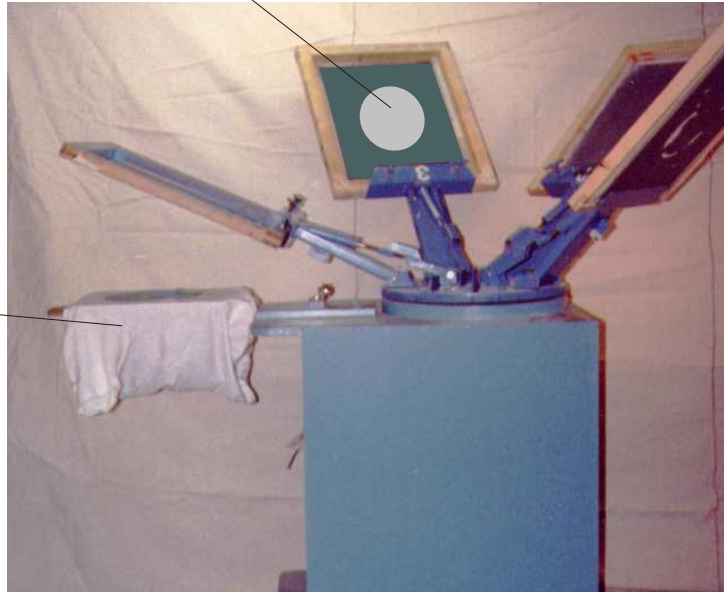
Plans are step by step construction and are professionally done.  
easy to build. You can also print on paper  
cardboard, steel or glass with this machine.

# Screen Printing

#SCR7

Example: 4" diameter Solar Cell Image in photo screen

Replace T-shirt  
with Glass or other  
and print solar cells



JCM1 5 -Color Screen Printing Machine  
Constructed By: David Waggoner 1991

